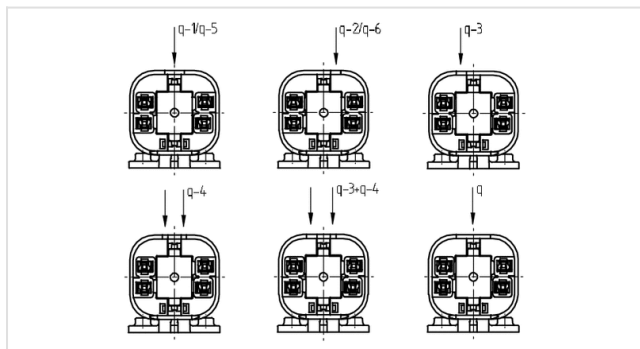
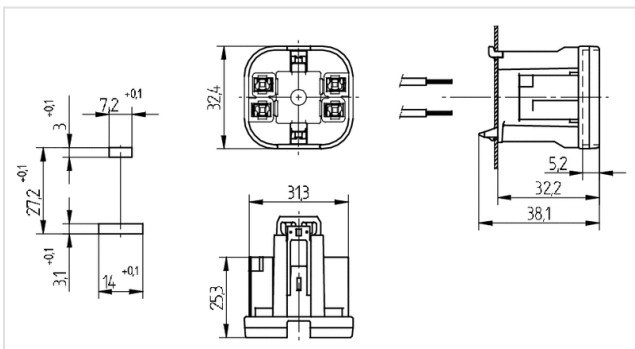
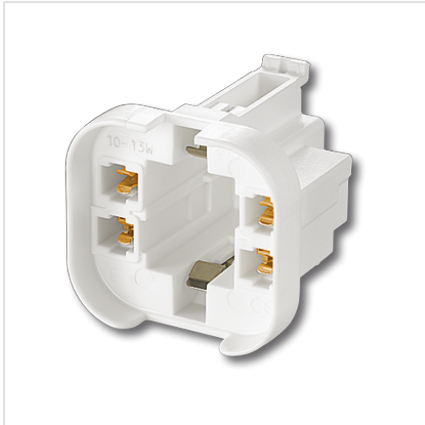




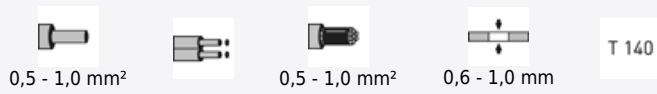
Technik für Licht  
Komponenten · Optik · Automation

# 26.745.1561

Compact Fluorescent Lampholders  
G24 / GX24



**Color:** weiß  
**FC:** 50  
**Part no.:** 26.745.1561.50



## Description

<b>Short description:</b>	For lamps TC-DEL, TC-TEL
<b>Zubehörseite:</b>	[03] 35
<b>Product name:</b>	Lampholder G24/GX24
<b>LED type:</b>	GX24
<b>Symbol :</b>	140
<b>Color:</b>	white
<b>Mounting method 1:</b>	Swivel mount pins at rear
<b>Material:</b>	Housing: PBT
<b>cULus file no.:</b>	E-92235
<b>Weight:</b>	10
<b>Approval:</b>	additional cULus
<b>Material thickness:</b>	0.6 - 1.0
<b>Key:</b>	q-2 (18 Watt) / q-6 (70 Watt)***
<b>Key additional information:</b>	***Key q-6 only when used with adaptor 26.725.-420
<b>T-Marking:</b>	140
<b>Pkg.:</b>	250