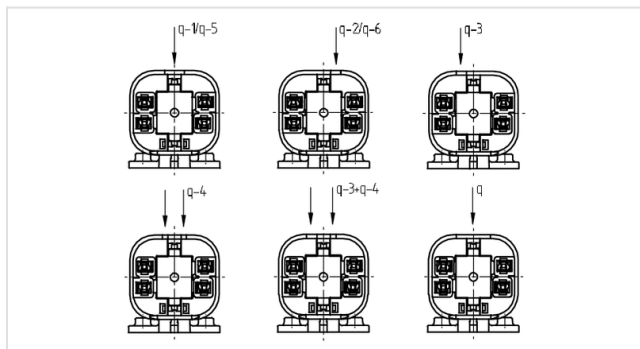
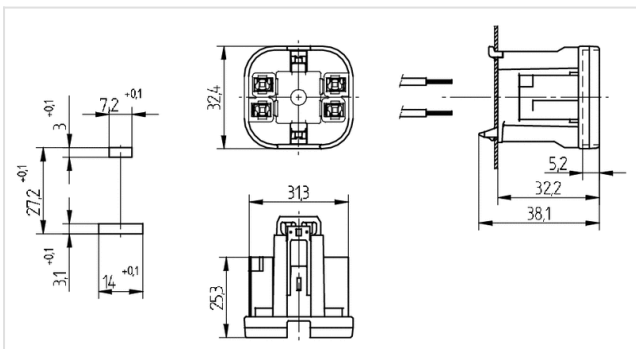
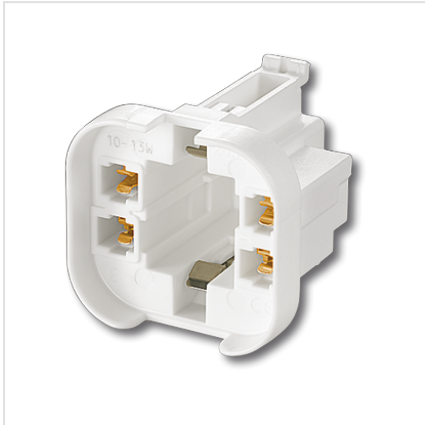




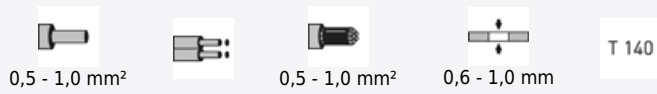
Technik für Licht
Komponenten · Optik · Automation

26.745.1551

Compact Fluorescent Lampholders
G24 / GX24



Farbe: weiß
FC: 50
Part no.: 26.745.1551.50



Description

Short description:	For lamps TC-DEL, TC-TEL
Zubehörseite:	[03] 35
Product name:	Lampholder G24/GX24
LED type:	GX24
Symbol :	140
Color:	white
Mounting method 1:	Swivel mount pins at rear
Material:	Housing: PBT
cULus file no.:	E-92235
Weight:	10
Approval:	additional cULus
Material thickness:	0.6 - 1.0
Key:	q-1 (8 / 10 / 13 Watt) / q-5 (57 Watt)**
Key additional information:	**Key q-5 only when used with adaptor 26.725.-420
T-Marking:	140
Pkg.:	250