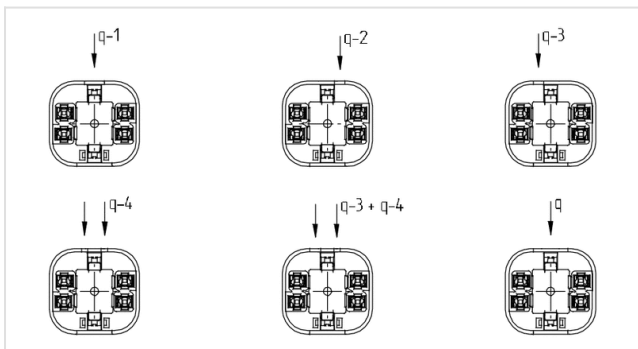
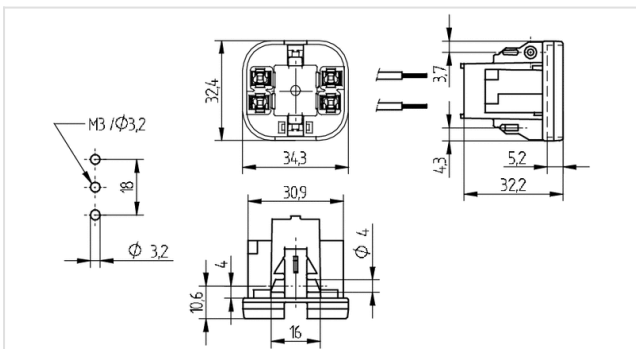
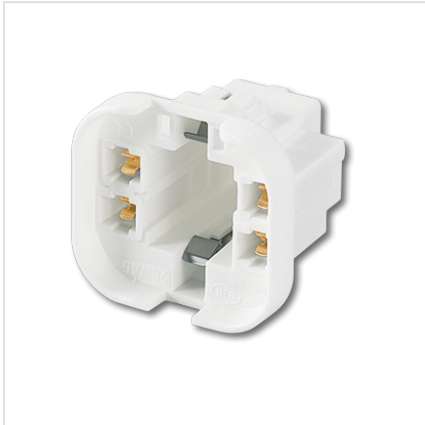




Technik für Licht
Komponenten · Optik · Automation

26.745.1201


Compact Fluorescent Lampholders
G24 / GX24



Farbe: weiß
FC: 50
Part no.: 26.745.1201.50


0,5 - 1,0 mm²




0,5 - 1,0 mm²

T 140

Description

- Screw mount: holes: \varnothing 3.2 mm for screws ISO 1207 - M3
- Rivet mount: we recommend blind rivet \varnothing 3.0 mm according to DIN 7337 (Aluminium / Steel flat round head) max. pull force 500 N
- *Note: Whilst the version of the lampholder without key is designed and constructed to the same high quality standards as the approved versions, there is no valid approval available that we can apply for.

Short description:	For lamps TC-DEL, TC-TEL
Product name:	Lampholder G24/GX24
LED type:	GX24
Symbol :	140
Color:	white
Mounting method 1:	Screw mount vertical or central, rivet mounting
Material:	Housing: PBT
cULus file no.:	E-92235
Weight:	10
Approval:	additional cULus
Key:	q (without key)*
T-Marking:	140
Pkg.:	250