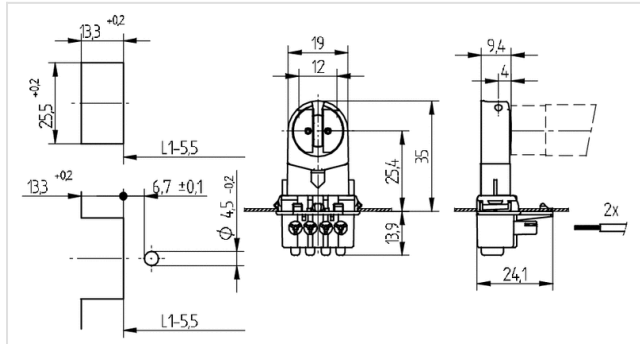
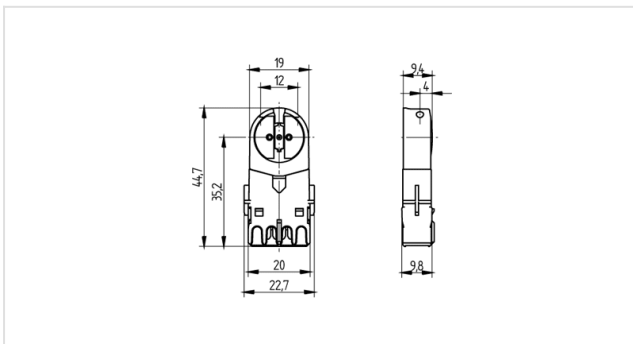




Technik für Licht
Komponenten · Optik · Automation

26.664.2001

Linear Fluorescent Lampholders: General Applications
Lampholders in BJB connector system



Color:

weiß

FC:

50

Part no.:

26.664.2001.50



0,5 mm²



T 130

Tm 110



Description

- - Can only be use with 26.921 adapter
-
- - Contacts: IDC Termination
-
- - A pair of lampholders provides a lamp length tolerance compensation of 3 mm
-
-

Product name:	G5 Lampholder for the BJB connector system
LED type:	G5
Color:	white
Mounting method 1:	Push through mount
Material:	Housing: PC Rotor: PBT
Weight:	3
Single- / twin lampholder:	Single lampholder
Lamp center:	25.4
Pkg.:	500