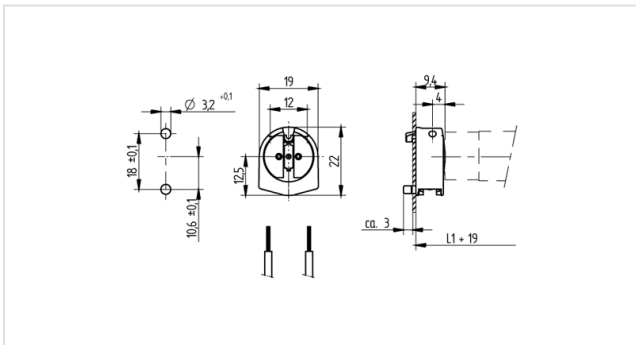




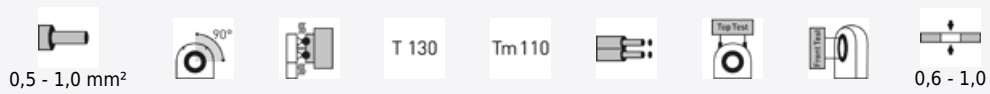
Technik für Licht
Komponenten · Optik · Automation

26.641.2003

Linear Fluorescent Lampholders: General Applications
G5 (T5): End Mount Lampholders



Farbe: weiß
FC: 50
Part no.: 26.641.2003.50



Description

Symbol value:	18 AWG 0.5 - 1.0 mm ²
Product name:	Fluorescent lampholder G5
LED type:	G5
Color:	white
Mounting method 1:	Snap-in pins vertical
Material:	Housing: PC Rotor: PBT
Rotor:	with
cULus file no.:	E-92235
Weight:	3
Approval:	cULus
Material thickness:	0.6 - 1.0
T-Marking:	130
Top Test:	yes
Wiring:	through the body
Pkg.:	1000