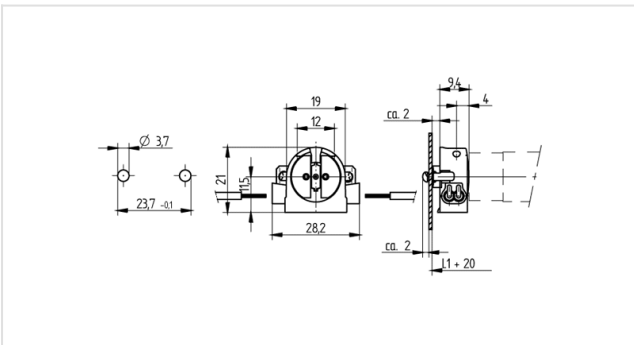




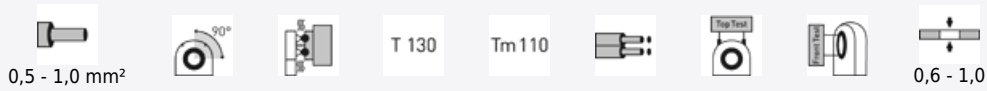
Technik für Licht
Komponenten · Optik · Automation

26.640.2002

Linear Fluorescent Lampholders: General Applications
G5 (T5): End Mount Lampholders



Farbe: weiß
FC: 50
Part no.: 26.640.2002.50



Description

- A pair of lampholders provides a lamp length tolerance compensation of 2 mm

Symbol value:	18 AWG 0.5 - 1.0 mm ²
Product name:	Fluorescent lampholder G5
LED type:	G5
Color:	white
Mounting method 1:	Snap-in pins with spring
Material:	Housing: PC Rotor: PBT
Rotor:	with
cULus file no.:	E-92235
Weight:	3
Approval:	additionally cURus (120W / 600V)
Front Test:	yes
Material thickness:	0.6 - 1.0
T-Marking:	130
Top Test:	yes
Wiring:	Side entry wiring
Pkg.:	1000