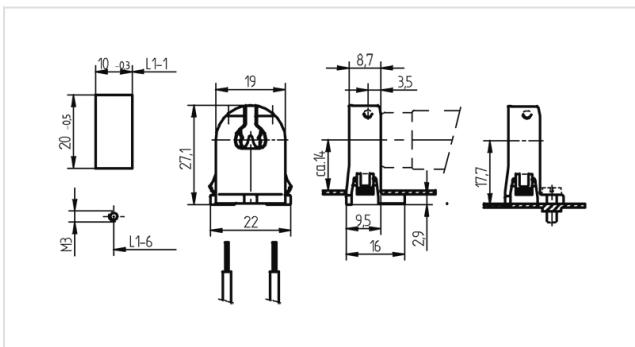




Technik für Licht
Komponenten · Optik · Automation

26.613.1001

Linear Fluorescent Lampholders: General Applications
G5 (T5): Push-Through Lampholders



Part no.:

26.613.1001.80



0,5 - 1,0 mm²

T 110



0,6 - 1,2



0,5 - 1,0 mm²

Description

- For enclosed cut-outs: 10 x 20 mm
- A pair of lampholders provides a lamp length tolerance compensation of 2 mm

Short description:	Without rotor
Symbol value:	18 AWG 0.5 - 1.0 mm ²
Product name:	Fluorescent lampholder G5
LED type:	G5
Symbol 1drähtige Leitungen:	0,5 - 1,0 mm ²
Mounting method 1:	Snap-in / screw mount foot
Material:	Housing: PC
cULus file no.:	E-92235
Approval:	cULus
Lamp center:	14 / 17.7
Material thickness:	0.6 - 1.2
T-Marking:	110
Top Test:	yes
Pkg.:	1000