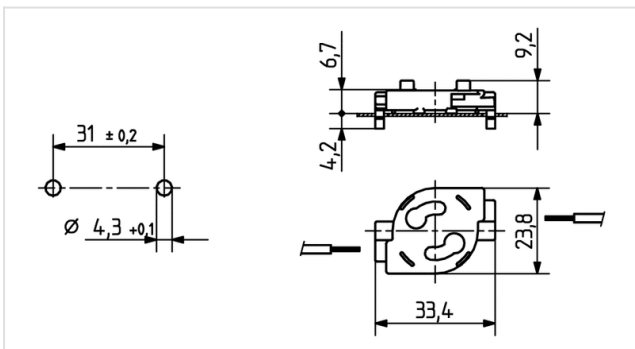





Technik für Licht
Komponenten · Optik · Automation

26.519.5001

Linear Fluorescent Lampholders: General Applications
Starter Holders



Color: weiß
FC: 50
Part no.: 26.519.5001.50


0,5 - 1,0 mm²

T 100


0,5 - 1,0

Description

Symbol value:	18 AWG 0.5 - 1.0 mm ²
Product name:	Starter holder
Color:	white
Mounting method 1:	Push-in pins with wiring barrel foot
Material:	Housing: PC
cULus file no.:	E-100447
Weight:	2
Approval:	cULus
Material thickness:	0.5 - 1.0
Pkg.:	500