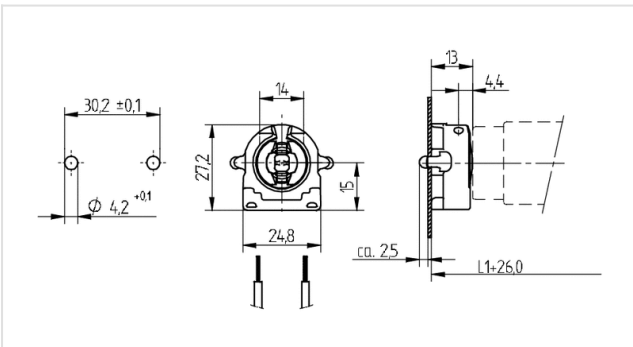





Technik für Licht  
Komponenten · Optik · Automation

## 26.422.2013

Linear Fluorescent Lampholders: General Applications  
G13 (Medium Bi-Pin): End Mount Lampholders



**Farbe:** weiß  
**FC:** 50  
**Part no.:** 26.422.2013.50

  
18 AWG  
0,5 - 1,0 mm<sup>2</sup>



  
U out  
500 V



T 130

Tm 110



  
0,5 - 1,1

## Description

<b>Product name:</b>	Fluorescent lampholder G13
<b>LED type:</b>	G13
<b>Color:</b>	white
<b>Mounting method 1:</b>	Push-in pins with wiring barrel foot
<b>Material:</b>	Housing: PC Rotor: PBT
<b>Rotor:</b>	with
<b>Body thickness:</b>	13
<b>Weight:</b>	6
<b>Approval:</b>	additionally PSE Jet (2A / 500V)
<b>Front Test:</b>	yes
<b>Material thickness:</b>	0.5 - 1.1
<b>Top Test:</b>	yes
<b>Wiring:</b>	through the body
<b>Pkg.:</b>	500