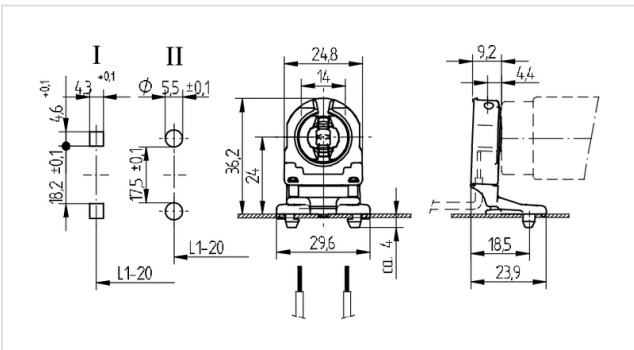





Technik für Licht
Komponenten · Optik · Automation

26.307.1023

Linear Fluorescent Lampholders: General Applications
G13 (Medium Bi-Pin): Push-In Lampholders



Color: weiß
FC: 50
Part no.: 26.307.1023.50


18 AWG
0,5 - 1,0 mm²




U out
500 V



T 130

Tm 110




0,5 - 1,1

Description

- Snap in pins for IP 40
- A pair of lampholders provides a lamp length tolerance compensation of 3 mm

Symbol value:	18 AWG 0.5 - 1.0 mm ²
Product name:	Fluorescent lampholder G13
LED type:	G13
Color:	white
Mounting method 1:	Push-in pins (for hole pattern 5.5 mm dia. or 4.3 x 4.6 mm)
Material:	Housing: PC Rotor: PBT
Rotor:	with
cULus file no.:	E-92235
Weight:	6
Approval:	cULus
Front Test:	yes
Lamp center:	24
Material thickness:	0.5 - 1.1
Protection class according to IEC:	IP 40
T-Marking:	130
Top Test:	yes
Wiring:	through the body
Pkg.:	500