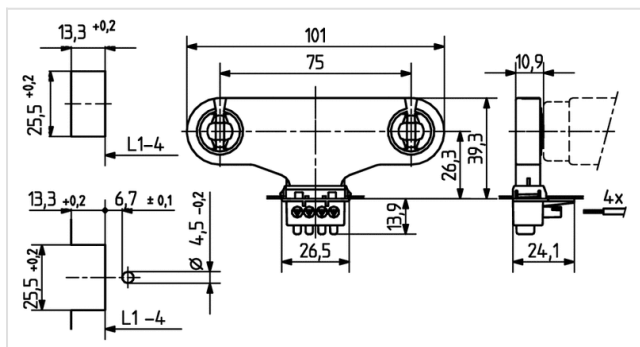
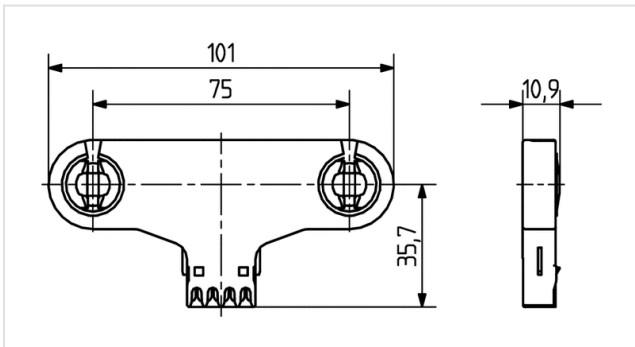




Technik für Licht
Komponenten · Optik · Automation

26.305.1001

Linear Fluorescent Lampholders: General Applications
Lampholders in BJB connector system



Farbe: weiß
FC: 50
Part no.: 26.305.1001.50



0,5 mm²



U out
500 V



T 130

Tm110

Description

- - Can only be use with 26.921 adapter
-
- - Contacts: IDC Termination
-
- - A pair of lampholders provides a lamp length tolerance compensation of 3 mm
-
-

Product name:	Fluorescent lampholder G13 for BJB connector system
LED type:	G13
Color:	white
Mounting method 1:	Push through mount
Material:	Housing: PC Rotor: PBT
Weight:	18
Single- / twin lampholder:	Twin lampholder
Lamp center:	26.3
Pkg.:	200