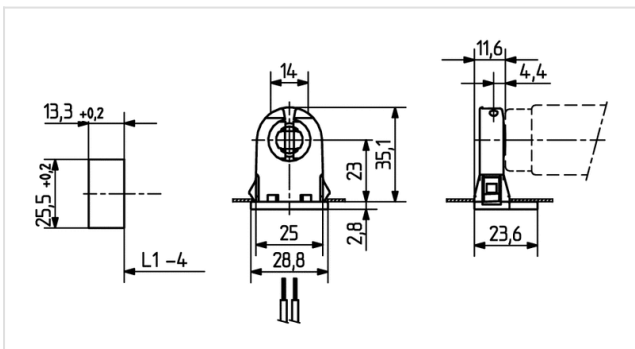
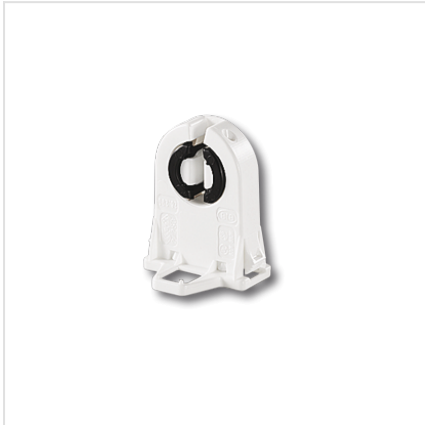





Technik für Licht
Komponenten · Optik · Automation

26.290.4012

Linear Fluorescent Lampholders: General Applications
G13 (Medium Bi-Pin): Push-Through Lampholders



Color: weiß
FC: 50
Part no.: 26.290.4012.50


18 AWG
0,5 -1,0 mm²



U out
500 V



T 130

Tm 110




0,4 - 2,0

Description

- For enclosed cut-outs
-
- A pair of lampholders provides a lamp length tolerance compensation of 3 mm

Symbol value:	18 AWG 0.5 - 1.0 mm ²
Product name:	Fluorescent lampholder G13
LED type:	G13
Color:	white
Mounting method 1:	Push through mount
Material:	Housing: PC Rotor: PBT
Rotor:	with
cULus file no.:	E-92235
Weight:	6
Approval:	cULus
Front Test:	yes
Lamp center:	23
Material thickness:	0.4 - 2.0
T-Marking:	130
Top Test:	yes
Pkg.:	500