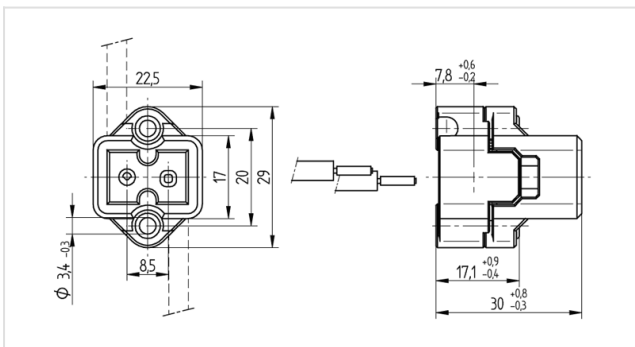




Technik für Licht
Komponenten · Optik · Automation

25.822.1001

HID Lampholders
G8.5



FC:

00

Part no.:

25.822.1001.00



5 kV/pulse

1 A
750 V



$\phi 1,2 - 1,8$



T 300

Description

- Maximum permissible diameter of the insulation 4.2 mm
-
- Wires permanently joined after insertion
-
- For screws dia. 3 mm

Symbol Zündspannung:	5kV pulse rated
Product name:	Lampholder G8.5
Symbol :	300
Mounting method 1:	Screw mount
Material:	Housing: Ceramic
Weight:	26
Connection:	Pushwire terminal
Socket:	G8.5
Pkg.:	216