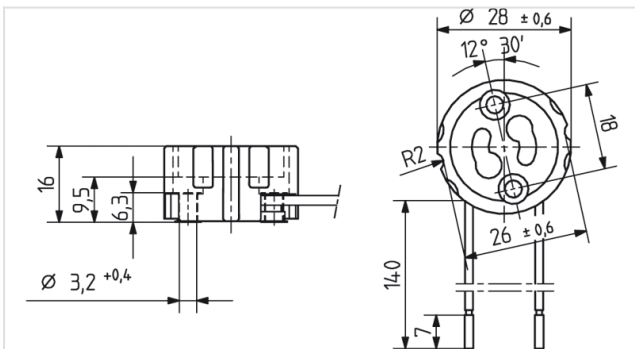




Technik für Licht
Komponenten · Optik · Automation

25.818.3801

Line Voltage Halogen Lampholders
GZ10



FC: 00
Part no.: 25.818.3801.00

2 A
250 V

T250

Description

- cULus: File E-93328

Product name:	Lampholder GZ10
LED type:	GZ10
Mounting method 1:	Screw mount
Material:	Housing: Ceramic / Mica plate Contacts: Ni
Weight:	16
Connection:	parallel side leads
Wires:	Cu. nickel, 0.75 mm ² , Insulation: PTFE (max. 250° C), with ferrule, Free cable length: 140 mm
Pkg.:	500