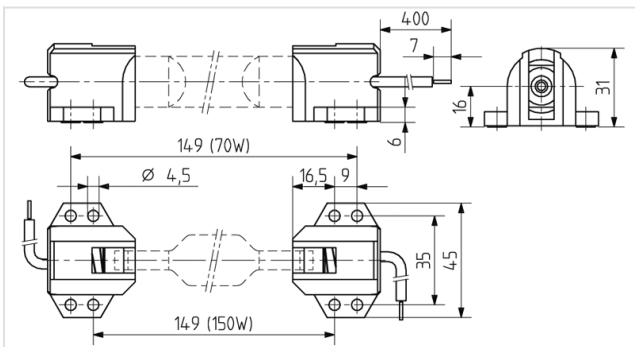




Technik für Licht  
Komponenten · Optik · Automation

# 25.806.3700

HID Lampholders  
RX7s



**FC:** 00  
**Part no.:** 25.806.3700.00



10 A  
750 V

T250

## Description

<b>Short description:</b>	For Metal Halide Lamps
<b>Symbol Zündspannung:</b>	5kV pulse rated
<b>Product name:</b>	Lampholder RX7s
<b>LED type:</b>	RX7s
<b>Mounting method 1:</b>	Screw mount
<b>Material:</b>	Housing: Ceramic / PPS Contacts: CuZn
<b>Weight:</b>	59
<b>Single- / twin lampholder:</b>	Single lampholder
<b>Wires:</b>	Cu, tin plated, 1.0 mm <sup>2</sup> , with ferrule, Insulation: Silicone (max. 180° C), ø 4.2 mm (ignition cable), Free cable length: 400 mm
<b>Pkg.:</b>	36
<b>Information RoHS / REACH:</b>	This product contains the following REACH SVHC substances: Lead in specific copper alloys Siloxanes D4 D5 D6 in wires with silicone insulation For more information, please refer to: <a href="https://www.bjb.com/en/Information-RoHS/REACH">https://www.bjb.com/en/Information-RoHS/REACH</a>