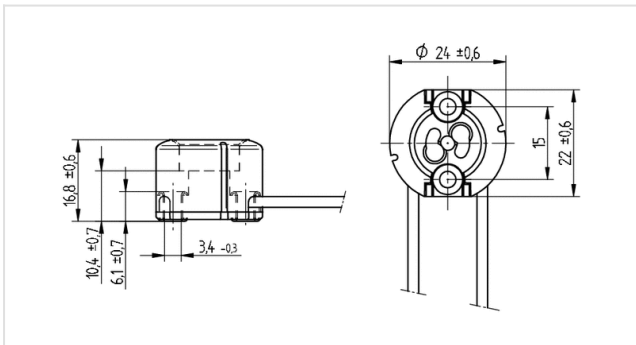




# 25.705.6009

HID Lampholders  
GU6.5



Part no.:

25.705.6009.00



4 kV/pulse

2 A  
600 V

200°C

## Description

- To prevent the risk of discharge to earth high temperature oversleeves should be used.
- Please consult us if mounting at rear with M3 rivet.

<b>Symbol Zündspannung:</b>	4kV pulse rated
<b>Product name:</b>	Lampholder GU6.5
<b>Mounting method 1:</b>	Screw mount
<b>Material:</b>	Housing: Ceramic / PPS
<b>cULus file no.:</b>	E-93328
<b>Weight:</b>	31
<b>Approval:</b>	cULus
<b>Wires:</b>	2 wires attached, PTFE, 18 AWG, 600 V, 250°C, white, Lead length: 765 mm (30")
<b>Pkg.:</b>	200