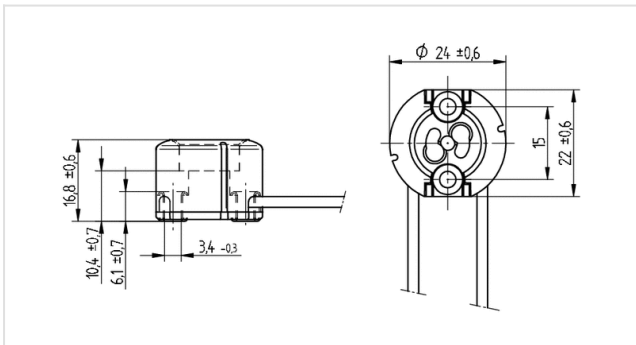




Technik für Licht
Komponenten · Optik · Automation

25.705.6006

HID Lampholders
GU6.5



Part no.:

25.705.6006.00



2 A
600 V

200°C

Description

- To prevent the risk of discharge to earth high temperature oversleeves should be used.
- Please consult us if mounting at rear with M3 rivet.

Symbol Zündspannung:	4kV pulse rated
Product name:	Lampholder GU6.5
Mounting method 1:	Screw mount
Material:	Housing: Ceramic / PPS
cULus file no.:	E-93328
Weight:	16
Approval:	cULus
Wires:	2 wires attached, PTFE, 18 AWG, 600 V, 250°C, white, with tinned wire ends, Lead length: 100 mm (4")
Pkg.:	200