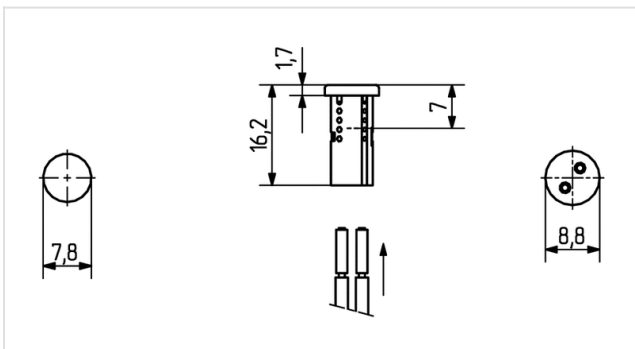




Technik für Licht  
Komponenten · Optik · Automation

# 25.264.1000

Low Voltage Halogen Lampholders  
G4 / Connector GZ4



<b>Farbe:</b>	anthrazit
<b>FC:</b>	90
<b>Part no.:</b>	25.264.1000.90

2 A  
50 V



max.  $\varnothing$  1,8 mm

T 200



## Description

- - Wires permanently installed after insertion
- 
- - Continuous working temperature:
- 
- T200 - for the contacts
- 
- 240° C - for the housing
- 
- - Assembles into 7.8 mm dia. cut-out. Also possible to tube mount
- 
- (e.g. into a tube with external 10 mm O.D. and 7.8 mm nominal I.D.).
- 
- Actual dimension must be consistent and suitable for the
- 
- intended application.

<b>Product name:</b>	Connecting piece GZ 4
<b>LED type:</b>	G4
<b>Color:</b>	anthracite (black/gray)
<b>Mounting method 1:</b>	Push through mount for cut out $\varnothing$ 7.8 mm
<b>Material:</b>	Housing: PPS Contacts: CuNi-CrNi
<b>Weight:</b>	2
<b>Approval:</b>	cURus
<b>Pkg.:</b>	500