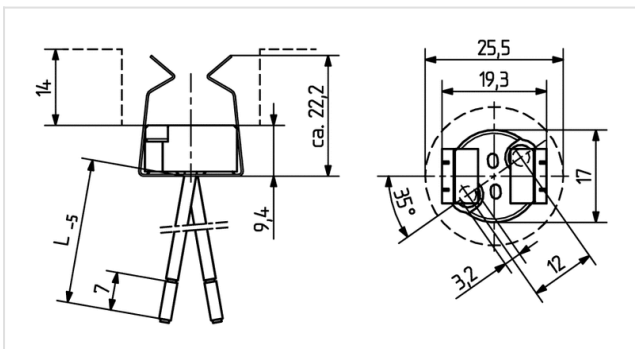




Technik für Licht  
Komponenten · Optik · Automation

# 25.105.6101

Low Voltage Halogen Lampholders  
GU5.3 / Connector GX5.3



**FC:** 00  
**Part no.:** 25.105.6101.00

10 A  
50 V

## Description

- The method of wiring must be such that no stress or bending motions will be transferred to the contacts, thus reducing the contact / pressure on the lamp pins.
- Other versions on request.

<b>Product name:</b>	Lampholder GU5.3 base MR-16 lamps
<b>LED type:</b>	GU5.3
<b>Mounting method 1:</b>	Screw mount
<b>Material:</b>	Housing: Ceramic / Mica plate Contacts: Ni
<b>cURus file no.:</b>	E-93328
<b>Weight:</b>	9
<b>Connection:</b>	Rear cable entry
<b>Approval:</b>	cURus
<b>Wires:</b>	Cu, nickel plated, 18 AWG, insulation: PTFE (max. 250° C), with ferrule, Lead length: 250 mm (10")
<b>T-Marking:</b>	250
<b>Pkg.:</b>	500