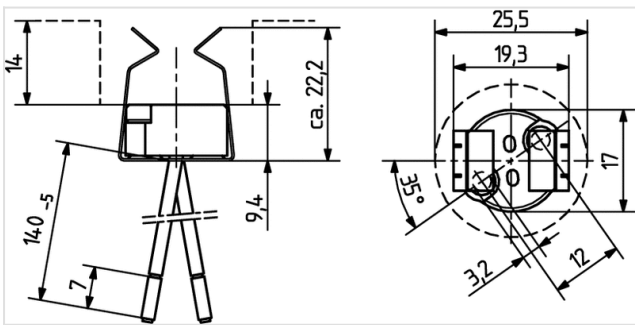




Technik für Licht  
Komponenten · Optik · Automation

# 25.105.3101

Low Voltage Halogen Lampholders  
GU5.3 / Connector GX5.3



**FC:** 00  
**Part no.:** 25.105.3101.00

10 A  
50 V

T 300

## Description

• - The method of wiring must be such that no stress or bending motions will be transferred to the contacts, thus reducing the contact / pressure on the lamp pins.

<b>Product name:</b>	Lampholder GU5.3 base MR-16 lamps
<b>LED type:</b>	GU5.3
<b>Symbol :</b>	T300
<b>Mounting method 1:</b>	Screw mount
<b>Material:</b>	Housing: Ceramic / Mica plate Contacts: Ni
<b>Weight:</b>	8
<b>Connection:</b>	Rear cable entry
<b>Wires:</b>	Cu, nickel plated 1.0 mm <sup>2</sup> , with ferrule, Insulation PTFE (max. 250° C), Lead length: 140 mm
<b>T-Marking:</b>	250
<b>Pkg.:</b>	500