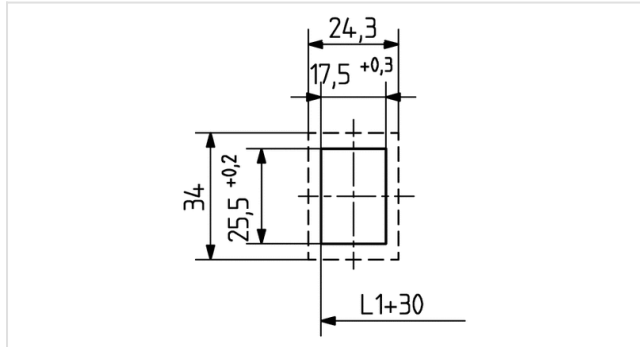
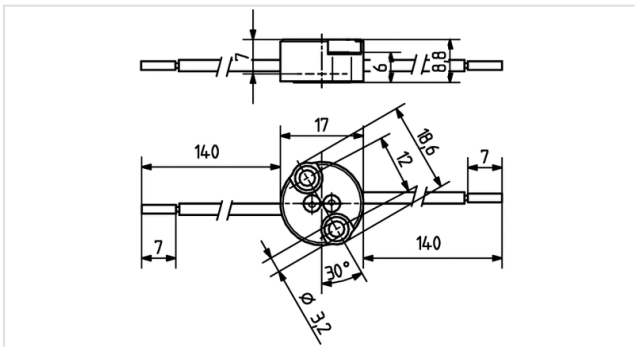
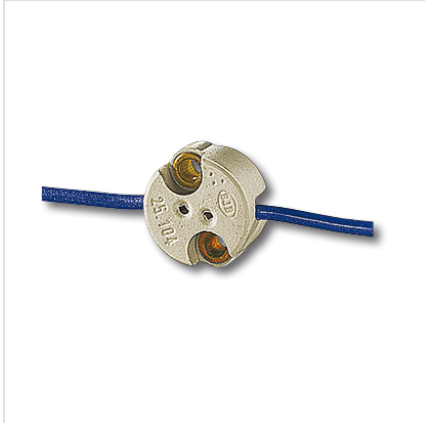




Technik für Licht
Komponenten · Optik · Automation

25.104.3621

Low Voltage Halogen Lampholders
G4 / Connector GZ4



Color: anthrazit
FC: 90
Part no.: 25.104.3621.90

10 A
50 V

T250

Description

- - The method of wiring must be such that no stress or bending motions will be transferred to
- the contacts, thus reducing the contact / pressure on the lamp pins.
- - cURus: File E-93328

Product name:	Connecting piece GZ 4
LED type:	G4
Color:	anthracite (black/gray)
Mounting method 1:	Screw mount
Material:	Housing: Ceramic / Mica plate Contacts: Ni
Weight:	8
Connection:	parallel side leads
Wires:	Cu, tin-plated, 0.75 mm ² , with ferrule, Insulation: silicone (max. 180° C), lead length: 140 mm
Pkg.:	500