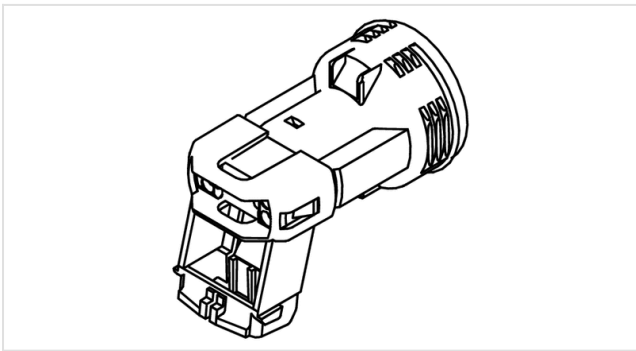
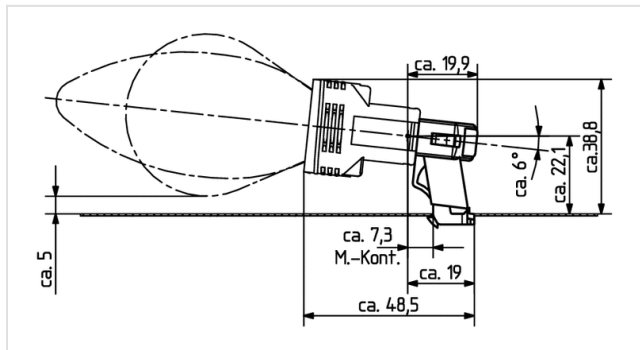
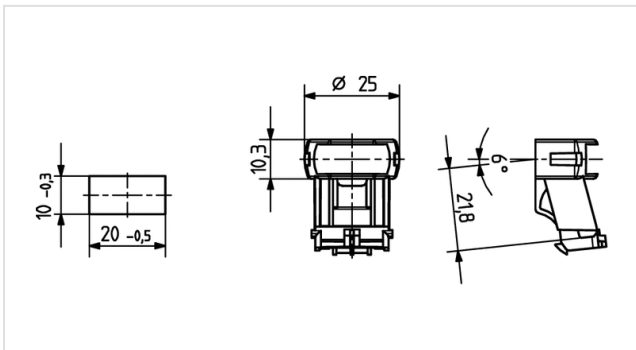




Technik für Licht  
Komponenten · Optik · Automation

## 22.926.-301

Incandescent Lampholders  
Accessories: E14, E12, E17



**Color:** weiß  
**FC:** 50  
**Part no.:** 22.926.-301.50



0,5 - 1,3

## Description

- Can be combined with lampholders 22.230, 22.231, 22.233, 22.234

<b>Short description:</b>	Adaptor
<b>Product name:</b>	Insert
<b>Color:</b>	white
<b>Mounting method 1:</b>	Snap-in foot 10 x 20 mm
<b>Material:</b>	Housing: PA
<b>Weight:</b>	4
<b>Material thickness:</b>	0.5 - 1.3
<b>Pkg.:</b>	250