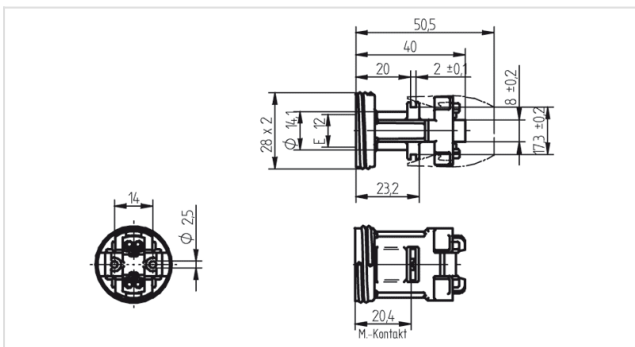




Technik für Licht
Komponenten · Optik · Automation

22.228.3913

Incandescent Lampholders
E12 Molded Lampholders



Farbe:

naturfarben

Part no.:

22.228.3913.51



18 AWG

75 W
125 V

150°C



18AWG

Description

- Screw mount: for self-tapping screws ISO 1478 - ST 2.9

Product name:	Lampholder E12
LED type:	E12
Color:	natural color
Mounting method 1:	Snap in fixing
Mounting method 2:	Push-in, end mount
Mounting method 3:	Screw mount
Material:	Housing: PET
cURus file no.:	E-93328
Weight:	10
Approval:	cURus
Pkg.:	500