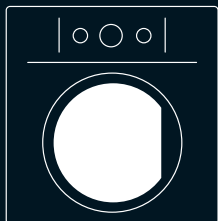


Light for Appliances



BJB///OEM-Line WET



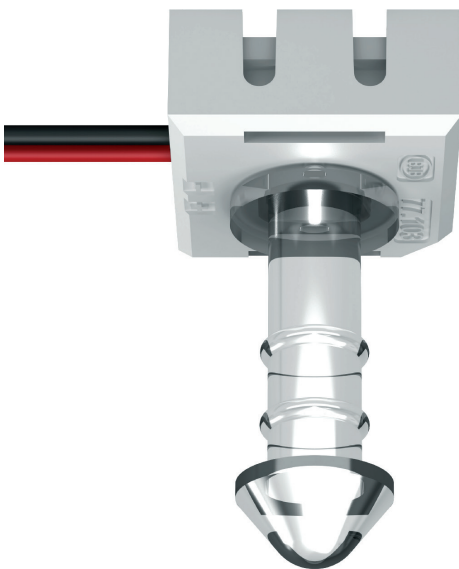
LED lighting for dishwashers, washing machines,
tumble driers and small appliances





BJB///OEM-Line WET

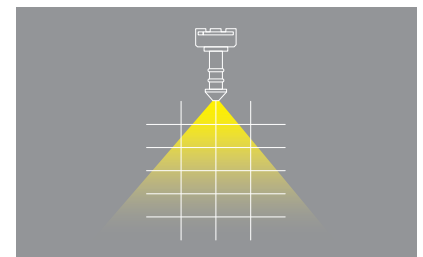
Universal LED luminaire 77.103.1001 for dishwashers, washing machines, tumble driers and small appliances



QUALITY GRADE "INDESTRUCTIBLE"

Dishwashers, washing machines, tumble driers and small appliances demand nothing less from LED solutions with optical fibre technology. Luminaires and light guide used in these appliances, must therefore be able to withstand heat, moisture, steam and vibrations as well as being alkali-resistant and scratch-proof. In addition, in order to be able to cope with difficult installation conditions, we develop systems with small light emitting areas and small installation sizes. We also offer modular solutions.

Light emission characteristic



FURTHER CHARACTERISTICS

LEDs

- Variable LED parameters (colour temperature, CRI, power rating)
- Energy efficiency: Possibility to upgrade to a higher energy efficiency class

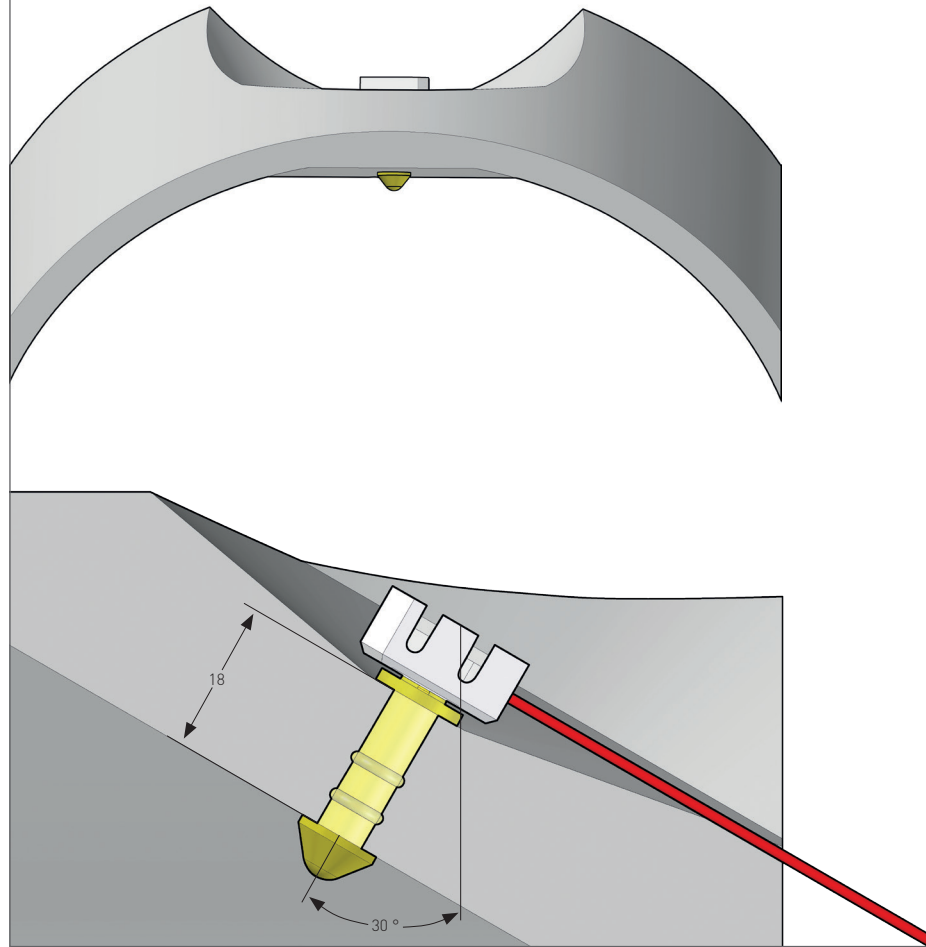
Installation

- Light emitting area $\varnothing = 6$ mm
- High degree of flexibility in positioning due to small light emitting area and small installation size
- Adapters for larger diameters possible
- Variable installation size due to flexible size of light guide
- Tumble driers and washing machines: Easy installation through push in fixation into rubber sealing

Design

- Flexible positioning due to small installation size

Scope of delivery: Including leads



Installation example: Insertion into rubber seal (top) of washing machine or drier

LED

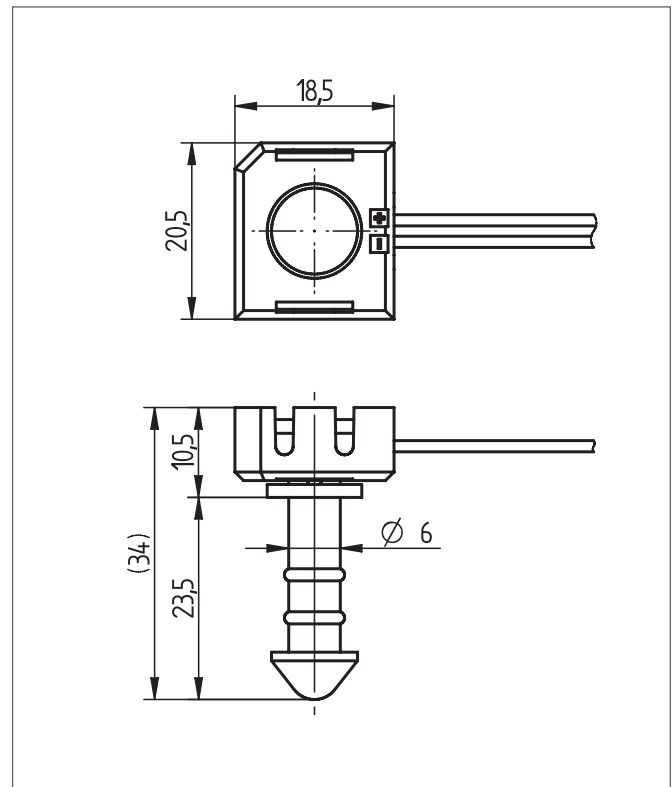
Technical data

- Narrow colour tolerance: McAdam 3.5 SDCM
- Beam angle symmetrical
- Tc max. 100 °C
- Protection class III due to SELV operation



Version	77.103.1001
Forward current IF	150 mA
Colour rendering CRI	> 80
Colour temperature	4,000 K
Luminous flux	120 lm
Luminaire efficiency	130 lm/W
Forward voltage UF	6.1 V
Power consumption	0.9 W

Tolerances of optical and electrical data: +/- 10%
The values given represent "typical" data. The minimum and maximum values can be found in the respective data sheets.





Light for Appliances

BJB GmbH & Co. KG
Werler Straße 1
59755 Arnsberg
Germany
Telephone +49 29 32 9 82-0
Telefax +49 29 32 9 82-8201
info@bjb.com
www.bjb.com